

VOLKAN™

HIGH-EFFICIENCY INCINERATORS



waste
spectrum



VOLKAN 75E series

super-compact animal
carcass incinerator

VOLKAN is a range of highly efficient incineration units for the disposal of all types of animal carcass. They are extremely robust, constructed using high quality materials and are available in a range of capacities and burn rates to suit every disposal problem. The VOLKAN 75E is super compact yet powerful and featuring an integral after-burner, is fully compliant with European legislation. It is ideal for the disposal of poultry and small animal carcasses.

www.VOLKANincinerators.com

VOLKAN 75E series

super-compact animal carcass incinerator

Why choose the VOLKAN 75E?

The VOLKAN 75E is specifically designed for the incineration of:

- Poultry carcasses
- Small pet animal carcasses (cats & small dogs)
- Farm shop waste

Economic and reliable

The VOLKAN 75E is a compact, fuel efficient and easy to run, DEFRA 'Type Approved' incinerator, designed to achieve its optimum incineration temperature quickly. It is the ideal solution for low volume incineration. Constructed from high quality materials in the UK, it comes with one year's free warranty.

Efficient and easy to use

The VOLKAN 75E is our most compact incinerator yet can hold up to 75kg of waste at a time and can burn up to 50kg an hour. It is easy to use and requires no specialist operator skills. The loading door is located on the front of the machine and is ideal for loading chickens, pheasants and other animals of a similar size. Once ignited the incinerator will burn the waste quickly and as it reduces, ash will fall through the grate into the ash pit. The ash may then be effortlessly removed through the lower level door. With a burn rate of up to 50kg per hour, the VOLKAN 75E incinerator has low capacity status requiring no planning permission for farm usage. A comprehensive operating, care & maintenance manual is provided with each incinerator.

Cleaner emissions and legislation compliant

The VOLKAN 75E is fitted with an integral afterburner. The gas temperature reaches 850°C rapidly and is maintained until the end of the main burn cycle. This ensures cleaner emissions and compliance with European emissions legislation ABPR 1069/2009.

VOLKAN 75E series options

Fuel use options	LPG Natural Gas Bio Gas
Mounting	Floor Mounted Trailer Mounted

For more information contact:
E: sales@WasteSpectrum.com
T: +44(0)1905 362100
F: +44(0)1905 362101

Why use incineration?

- Efficient, low-cost disposal
- Bio-security – no carcass transfers
- Simple on-site installation
- Controlled environmental emissions
- Low maintenance costs



VOLKAN 75E – specifications at a glance

Chamber Volume	0.1m ³
Load Capacity	up to 75kg
Load Method	Front
Weight	0.7 tonnes
Fuel Options	LPG, Natural or Bio Gas
Typical Fuel Consumption*	Liquid Propane Gas: 6 litres per hour Natural Gas: 6 litres per hour
Dimensions	0.83m(l) x 1.0m(w) x 2.7m(h)

*Figures based on typical figures gained from an average burn cycle. Waste Spectrum Environmental Ltd continually strives to improve its products and therefore reserves the right to introduce modifications to their product range without notice.

VOLKAN™

HIGH-EFFICIENCY INCINERATORS

www.VOLKANincinerators.com



waste
spectrum

VOLKAN 75E series

technical specifications

Model and Overview

VOLKAN 75E – the most compact incinerator in the range, ideal for low volume incineration.

Waste Type and Burn Rate

Designed specifically for use by poultry farmers, game-keepers and for pet cremation. The incinerator will burn up to 50kg of waste per hour.

Construction

Mild steel welded fabrication consisting of sheet steel and structural section supports.

Lining

Monolithic high grade refractory concrete with high grade insulation backing. Typical hot face temperature lining up to 1300°C.

Burner

LPG Oil/Natural Gas/Bio Gas fired.

Loading – Ash removal

Lower railed ash door for easy ash removal.

Exterior finish

Multi-coat, high quality, high-temperature aluminium enamel top coat paint, finished in silver.

Control

Manual temperature display.

Fuel Options

LPG, Natural or Bio Gas.

Typical Fuel Consumption*

Liquid Propane Gas: 6-8 litres per hour
Natural Gas: 6-8 litres per hour

Electrical supply

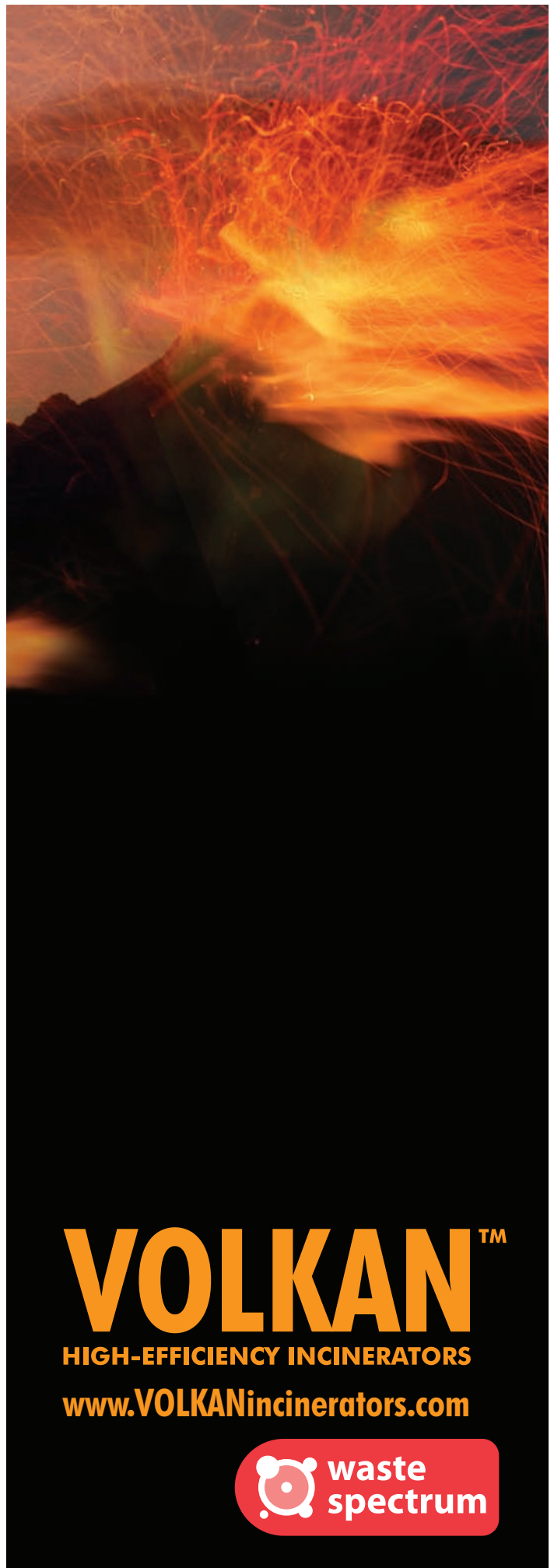
Requires no electrical supply.

Key Specifications

Chamber Volume	0.1m ³
Load Capacity	up to 75kg
Burn Rate	up to 50kg
Load Method	Front
Weight:	700kg

Dimensions 0.83m(l) x 1.0m(w) x 2.7m(h)

The VOLKAN 75E does not require electricity or commissioning.
*Figures based on typical figures gained from an average burn cycle.
Waste Spectrum Environmental Ltd continually strives to improve its products and therefore reserves the right to introduce modifications to their product range without notice.



VOLKAN™

HIGH-EFFICIENCY INCINERATORS

www.VOLKANincinerators.com



**waste
spectrum**

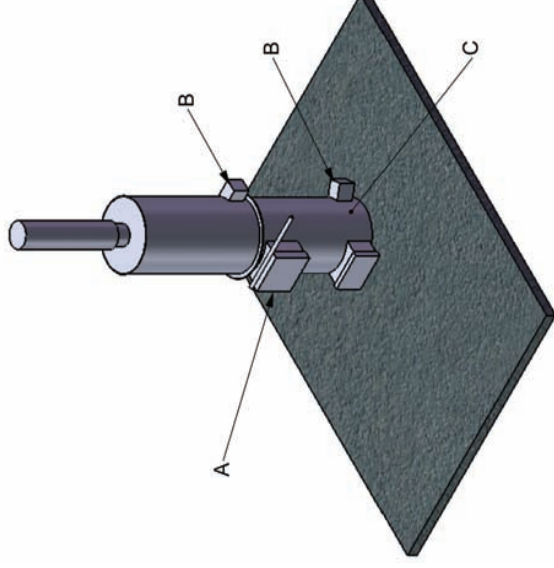
VOLKAN™

HIGH-EFFICIENCY INCINERATORS

www.VOLKANincinerators.com



VOLKAN 75E series



A - LOADING DOOR DIMENSIONS -
B - BURNER POSITIONS
C - DIESEL INPUT POSITION

