

VOLKAN™

HIGH-EFFICIENCY INCINERATORS



VOLKAN 400E series

medium-capacity animal carcass incinerator

VOLKAN is a range of highly efficient incineration units for the disposal of all types of animal carcass. They are robust, constructed using high quality materials and are available in a range of capacities and burn rates to suit every disposal problem.

The VOLKAN 400E is compact yet powerful and featuring an integral after-burner is fully compliant with European legislation.

It is ideal for the disposal of poultry, sheep and medium-sized animal carcasses.



www.VOLKANincinerators.com

VOLKAN 400E series medium-capacity animal carcass incinerator

Why choose the VOLKAN 400E?

The VOLKAN 400E is specifically designed for the incineration of:

- Sheep carcasses
- Poultry carcasses
- Larger sized pet animal carcasses
- Farm shop and abattoir waste

Economic and reliable

The VOLKAN 400E is compact, fuel efficient and easy to run, designed to achieve its optimum incineration temperature quickly. It is the ideal solution for medium volume incineration. Constructed from high quality materials in the UK, it comes with one year's free warranty.

Efficient and easy to use

The VOLKAN 400E is a compact, easy to use, DEFRA 'Type Approved', top-loading incinerator with a unique slide-opening lid, providing clear access for ease of manual or mechanical loading. All controls are placed away from the loading area to avoid damage by loading machinery. Once the incinerator has been loaded, a burn program is selected and the incinerator can be left unattended until the carcass reduces to ash. It is highly efficient, utilising automatic high heat-rate burners, low thermal mass linings and timer controls that ensure minimal running costs; a thermostat triggers burner shut-off when optimum temperatures are reached, increasing fuel efficiency significantly. The model is also designed to use the inherent fuel properties within animal fat that aid combustion. With a burn rate up to 50kg per hour, the VOLKAN 400E incinerator has a low capacity status requiring no planning permission for farm usage. Easily installed on site, it simply requires concrete hard-standing and a 240-volt electricity & fuel supply. A comprehensive operating, care & maintenance manual is provided with each incinerator.

Cleaner emissions and legislation compliant

The VOLKAN 400E is fitted with an after-burner which is integral to the incinerator. The gas temperature reaches 850°C rapidly and is maintained until the end of the main burn cycle. This, along with a 2m chimney, highly efficient automatic burners and timer controls ensures cleaner emissions and compliance with European emissions legislation ABPR 1069/2009.

VOLKAN 200 series options

Fuel use options	Diesel, LPG Natural Gas, Bio Gas
Mounting	Floor Mounted Trailer Mounted

For more information contact:
E: sales@WasteSpectrum.com
T: +44(0)1905 362100
F: +44(0)1905 362101

Why use incineration?

- Efficient, low-cost disposal
- Bio-security – no carcass transfers
- Simple on-site installation
- Controlled environmental emissions
- Low maintenance costs



VOLKAN 400E – specifications at a glance

Chamber Volume	0.76m ³
Load Capacity	up to 400 kg
Load Method	Top
Fuel Options	Diesel, LPG, Natural Gas, Bio-fuel
Electricity Supply	230 volt required
Weight	2.4 tonnes
Fuel Consumption (Typical)*	Liquid Propane Gas: 6 to 8 litres per hour Natural Gas: 7 to 9 Nm ³ /hr Diesel: 6 to 8 litres per hour
Dimensions	2.7m(l) x 1.65m(w) x 2.9m(h)

*Figures based on typical figures gained from an average burn cycle.
Waste Spectrum Environmental Ltd continually strives to improve its products and therefore reserves the right to introduce modifications to their product range without notice.

VOLKAN™

HIGH-EFFICIENCY INCINERATORS

www.VOLKANincinerators.com



VOLKAN 400E series

technical specifications

Model and Overview

VOLKAN 400E – a medium-capacity, powerful incinerator, ideal for medium volume incineration.

Waste Type and Burn Rate

Designed specifically for use by poultry farmers, sheep farm owners, game keepers, abattoirs and for pet cremation. The incinerator will burn up to 50kg of waste per hour.

Construction

Mild steel welded fabrication consisting of sheet steel and structural section supports.

Lining

Monolithic high grade refractory concrete with high grade insulation backing.

Burner/Burners

Fully automatic, high-efficiency burners with electronic ignition, flame recognition and combustion control devices fitted.

Loading – Ash removal

Manual ash removal from the primary chamber. (Ash doors are available on request).

Exterior finish

Multi-coat high quality, high-temperature aluminium enamel top coat paint, finished in silver.

Control

Fully automatic sequential control provided by internal PLC system providing control of:

1. Secondary chamber pre-heat
2. Burn cycle (variable)
3. Cool down cycle

Fuel Options

Diesel, LPG, Natural or Bio Gas.

Typical Fuel Consumption*

Diesel: 6 / 8 litres per hour
Liquid Propane Gas: 6 / 8 litres per hour
Natural Gas: 7 / 9 Nm³ per hour

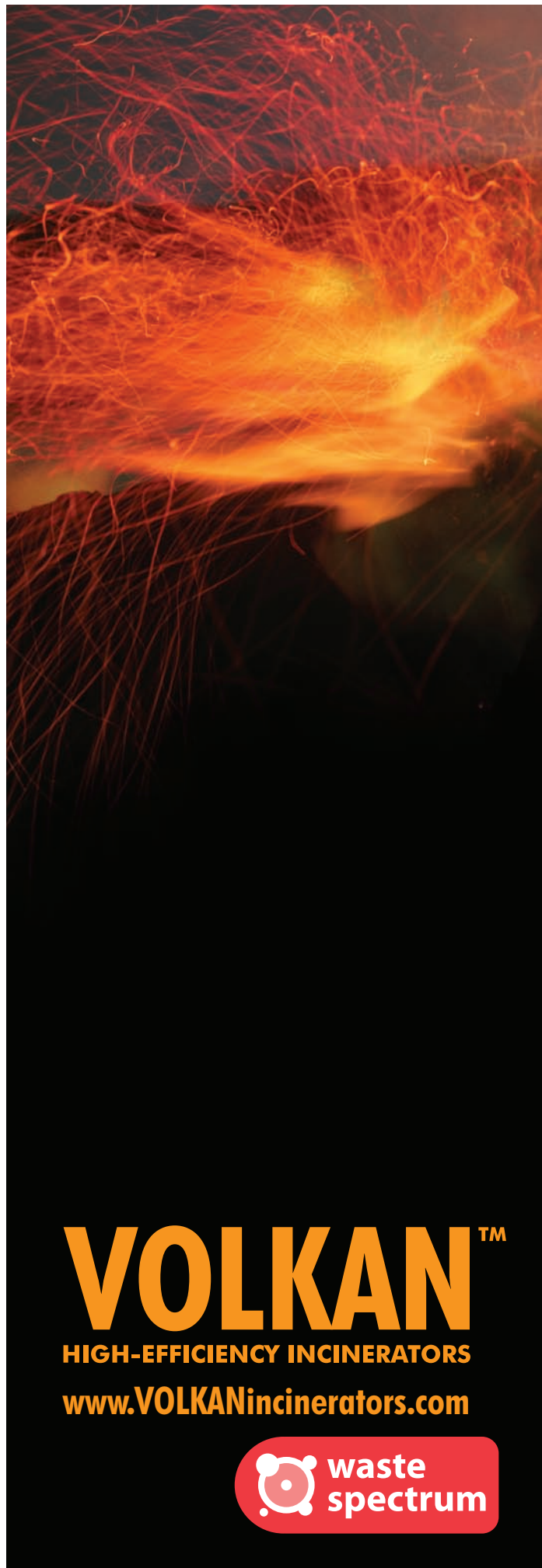
Electrical supply

240volt 16 amp.

Key Specifications

Chamber Volume 0.76m³:
1.4m (l) x 0.79m(w) x 0.69m(h)
Load Capacity up to 400kg
Burn Rate up to 50kg per hour
Load Method Top
Weight: up to 2.4 tonnes

Dimensions 2.7m(l) x 1.65m(w) x 2.9m(h)



VOLKAN™

HIGH-EFFICIENCY INCINERATORS

www.VOLKANincinerators.com



**waste
spectrum**

*Figures based on typical figures gained from an average burn cycle.
Waste Spectrum Environmental Ltd continually strives to improve its products and therefore reserves the right to introduce modifications to their product range without notice.

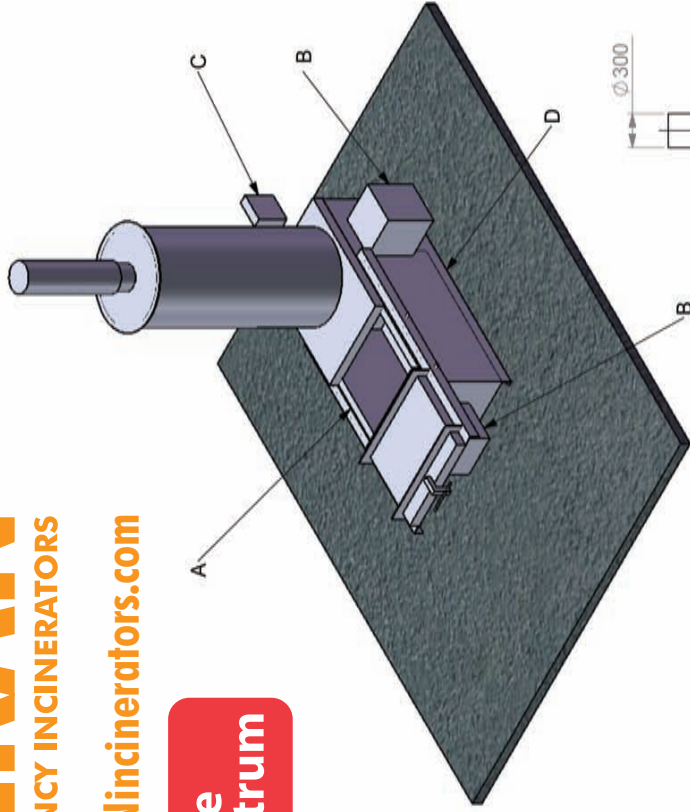
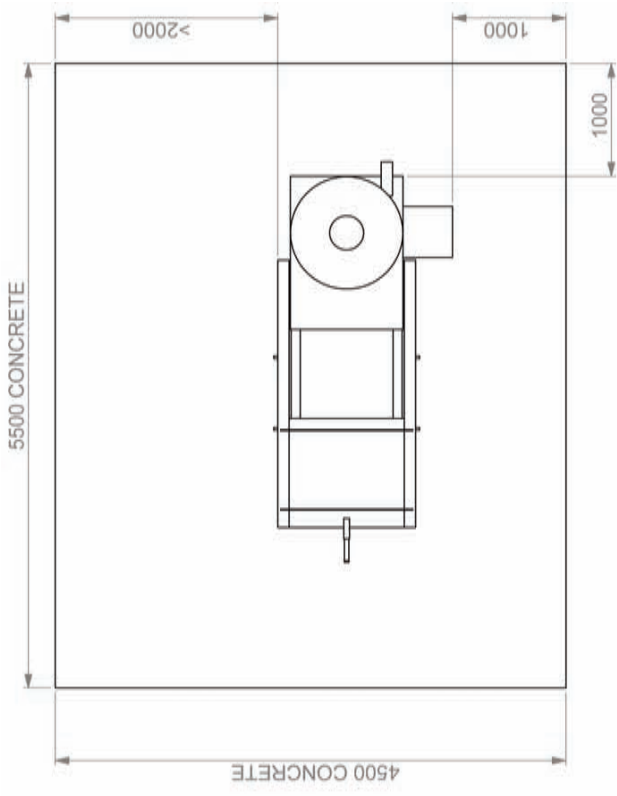
VOLKAN™

HIGH-EFFICIENCY INCINERATORS

www.VOLKANincinerators.com



VOLKAN 400E series



- A - LOADING DOOR DIMENSIONS - 847 x 788
- B - BURNER POSITIONS
- C - CONTROL PANEL & ELECTRICAL CONNECTIONS
- D - DIESEL INPUT POSITION

