

VOLKANTM

HIGH-EFFICIENCY INCINERATORS



VOLKAN 2000 series

high-capacity animal carcass incinerator

VOLKAN is a range of highly efficient incineration units for the disposal of all types of animal carcass. They are robust, constructed using high quality materials and are available in a range of capacities and burn rates to suit every disposal problem.

The VOLKAN 2000 is a high-capacity, powerful, EU legislation compliant incinerator featuring an integral after-burner for greater efficiency and cleaner emissions. It is ideal for the disposal of cattle, pigs, sheep and poultry.



www.VOLKANincinerators.com

VOLKAN 2000 series

high-capacity animal carcass incinerator

Why choose the VOLKAN 2000?

The VOLKAN 2000 is specifically designed for the incineration of:

- Cattle carcasses
- Pig carcasses
- Sheep carcasses
- Farm shop and abattoir waste

Economic and reliable

The VOLKAN 2000 is fuel efficient and easy to run, operated by automatic control systems. It is the ideal solution for large volume incineration. Constructed from high quality materials in the UK, it comes with one year's free warranty.

Efficient and easy to use

The VOLKAN 2000 is a DEFRA 'Type Approved', front-loading incinerator with a door that slides open to provide clear access for ease of manual or mechanical loading. All controls are placed away from the loading area to avoid damage by loading machinery. The VOLKAN 2000 is able to pre-heat the after-burner to the required temperature before loading the carcass. Once the incinerator has been loaded, a burn program is selected and the incinerator can be left unattended until the carcass reduces to ash. It is highly efficient, utilising automatic high heat-rate burners, low thermal mass linings and timer controls that ensure minimal running costs; a thermostat triggers burner shut-off when optimum temperatures are reached, increasing fuel efficiency significantly. The model is also designed to use the inherent fuel properties within animal fat that aid combustion. The VOLKAN 2000 is fitted with a secondary chamber for ABPR 1069/2009 EU legislation compliance and for cleaner emissions. Easily installed on site, it simply requires concrete hard-standing and a 240-volt electricity & fuel supply. A comprehensive operating, care & maintenance manual is provided with each incinerator.

VOLKAN 2000 series options

Fuel use options

Diesel
LPG
Natural Gas
Bio Gas

*Higher burn rate for even faster incineration

Burn rates of up to 150kg available for certain applications – call for details

For more information contact:
E: sales@wastespectrum.com
T: +44(0)1905 362100
F: +44(0)1905 362101

Why use incineration?

- Simple on-site installation
- Bio-security – no carcass transfers
- Efficient, low-cost disposal
- Controlled environmental emissions
- Low maintenance costs



VOLKAN 2000 – specifications at a glance

Chamber Volume	4.37m ³
Load Capacity	up to 2000 kg
Load Method	Front
Fuel Options	Diesel, LPG, Natural Gas, Bio Gas
Electricity Supply	230 volt required
Weight	7 tonnes
Fuel Consumption (Typical)*	Dependant on application
Dimensions	3.2m(l) x 2.2m(w) x 4m(h)

VOLKAN™

HIGH-EFFICIENCY INCINERATORS

www.VOLKANincinerators.com



waste
spectrum

VOLKAN 2000 series

technical specifications

Model and Overview

Volkan 2000 – a large-capacity, powerful, World Standard incinerator, ideal for high volume incineration with integral after-burner for greater efficiency and emissions control.

Waste Type and Burn Rate

Designed specifically for use by poultry farms, sheep farms, pig farms, cattle farms, abattoirs and for pet cremation. The incinerator will burn up to 50kg of waste per hour (up to 150kg burn-rate models are available for certain applications – call for details).

Construction

Mild steel welded fabrication consisting of sheet steel and structural section supports.

Lining

Monolithic high grade refractory concrete with high grade insulation backing.

Burners

Fully automatic, high-efficiency burners with electronic ignition, flame recognition and combustion control devices fitted.

Loading – Ash removal

Manual ash removal from the primary chamber. (Ash doors are available on request).

Exterior finish

Multi-coat high quality, high-temperature aluminium enamel top coat paint, finished in silver.

Control

Fully automatic sequential control provided by internal PLC system providing control of:

1. Secondary chamber pre-heat
2. Burn cycle (variable)
3. Cool down cycle

Fuel Options

Diesel, LPG, Natural or Bio Gas.

Typical Fuel Consumption*

Dependant on application.

Electrical supply

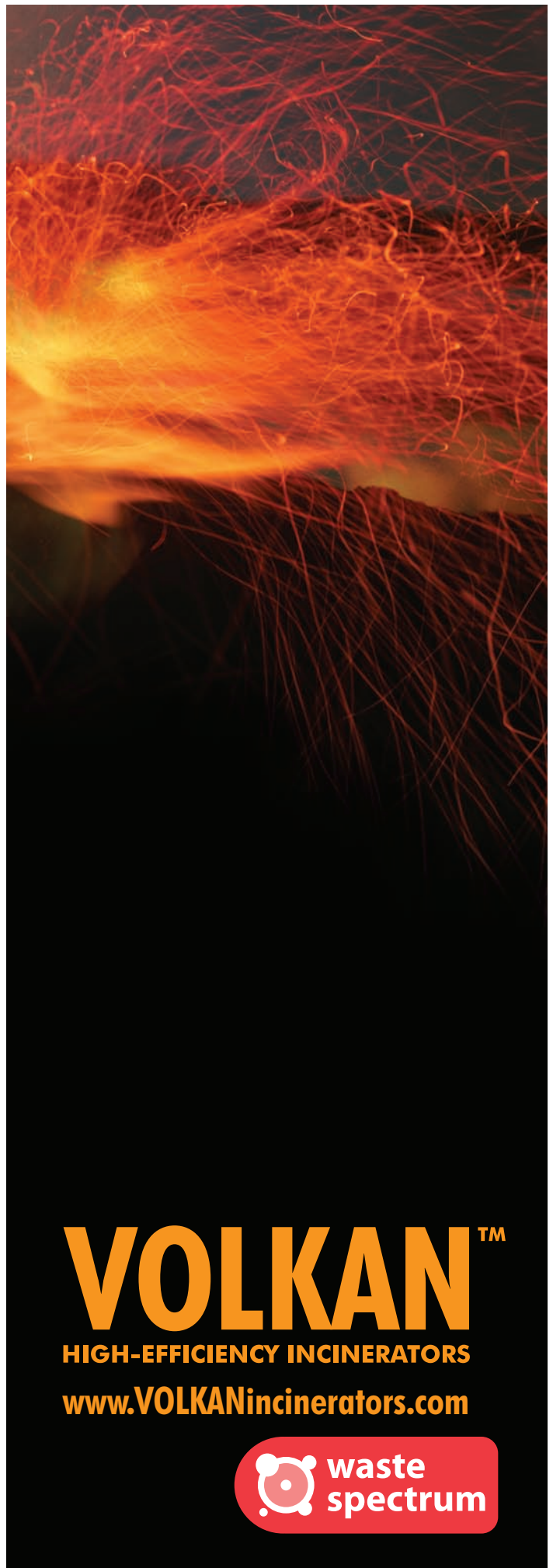
240volt 16 amp.

Key Specifications

Chamber Volume	4.37m ³ : 2.8m (l) x 1.3m(w) x 1.25m(h)
Load Capacity	up to 2000kg
Burn Rate	up to 150kg per hour
Load Method	Front
Weight:	up to 7 tonnes

Dimensions 3.2m(l) x 2.2m(w) x 4m(h)

*Figures based on typical figures gained from an average burn cycle.
Waste Spectrum Environmental Ltd continually strives to improve its products and therefore reserves the right to introduce modifications to their product range without notice.



VOLKAN™

HIGH-EFFICIENCY INCINERATORS

www.VOLKANincinerators.com



**waste
spectrum**

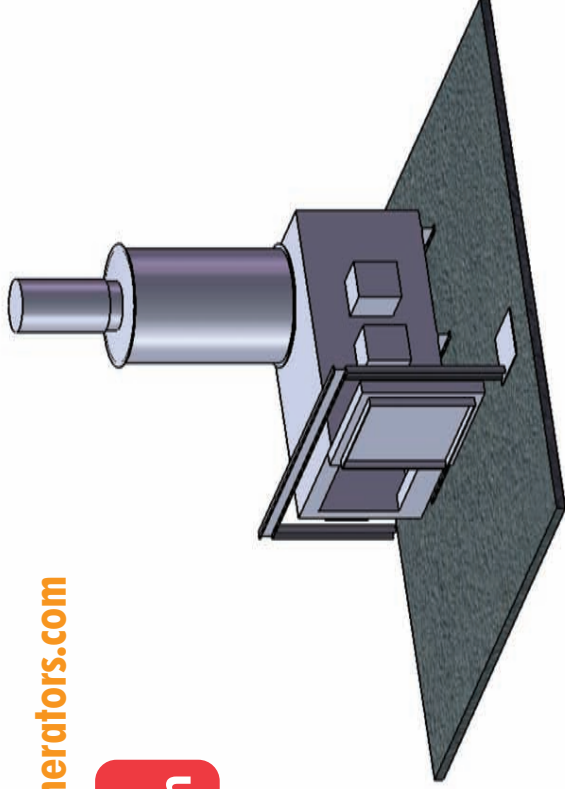
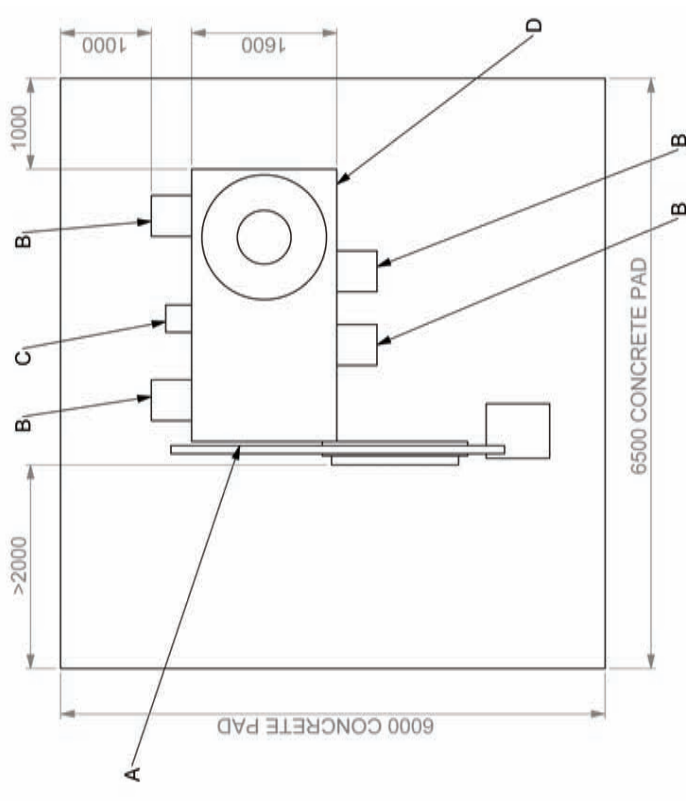
VOLKAN™

HIGH-EFFICIENCY INCINERATORS

www.VOLKANincinerators.com



VOLKAN 2000 series



- A - LOADING DOOR DIMENSIONS - 1284 x 910
- B - BURNER POSITIONS
- C - CONTROL PANEL & ELECTRICAL CONNECTIONS
- D - DIESEL INPUT POSITION

